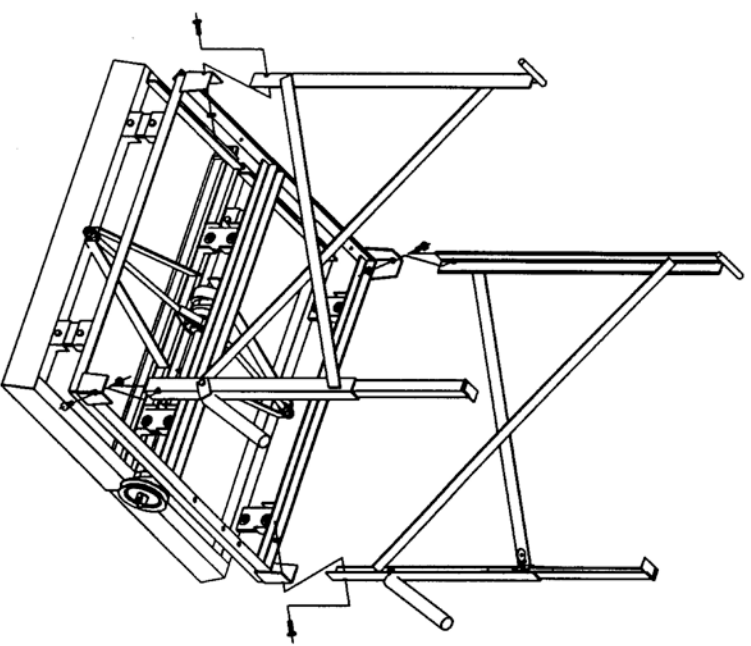
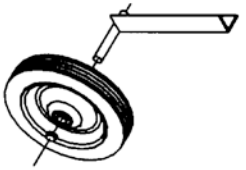


Assembly Instructions:

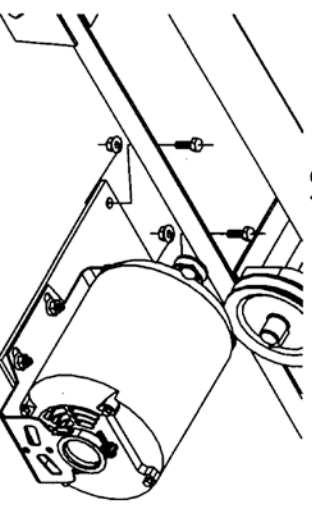
- 1.) Remove legs, gaurds, and extra screens (if any) from box.
- 2.) Fasten Legs to Frame using provided 5/16" Bolts



- 3.) Attach Wheels to Axles using a rubber mallet and Caps

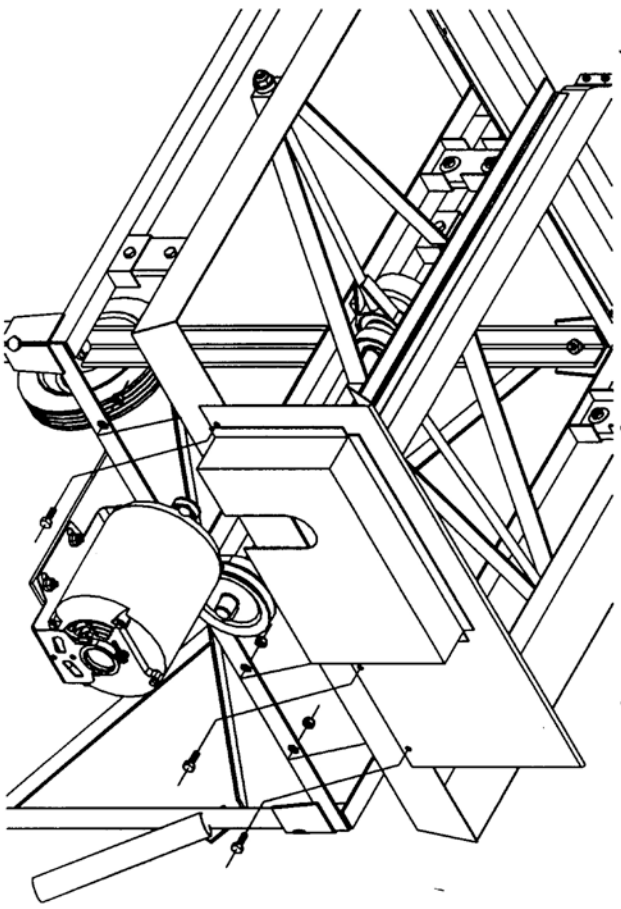


- 4.) Mount Electric Motor to Flame using provided 5/16" Bolts

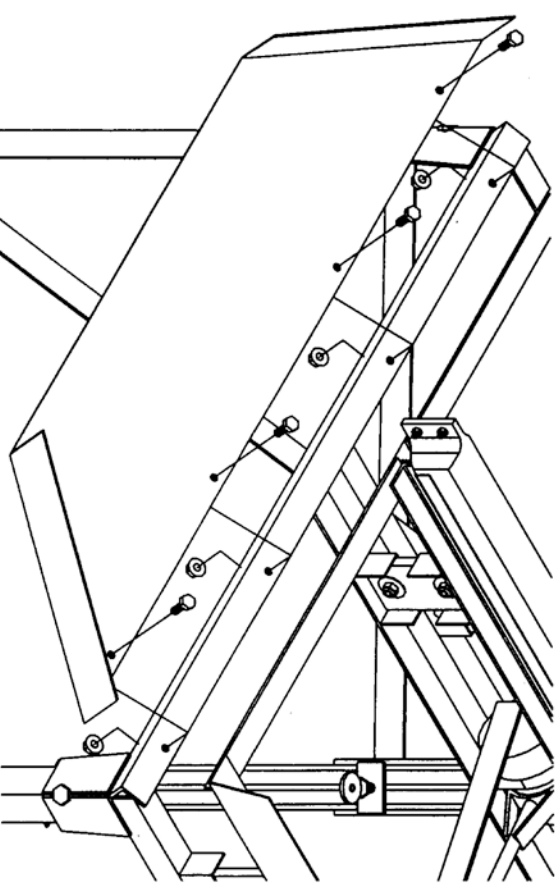


- 5.) Install belt to Pulley's Pulley's may require alignment

- 6.) Use 5/16" Bolts mounting to motor to Base to tighten Belt
- 7.) Slide Belt Guard over Pulley's and Fasten with provided 1/4" bolts



- 8.) Attach Front Pan to Angle using provided 1/4" bolts



- 9.) Adjust sliding legs by loosening the adjusting bars. Angle screener to allow rocks and debris to roll off

MULTISCREENER 07 PARTS

1. MAIN FRAME
2. SCREEN FRAME (2)
3. DRIVE SHAFT
4. DRIVE PULLEY (V BELT)
5. SUPPORT LEG FRAMES (2)
6. HEIGHT ADJUSTING LEGS (2)
7. FLEXIBLE SCREEN FRAME SUPPORTS (2)
8. CONNECTING RODS (2)
9. TRANSPORT WHEELS (2)
10. SCREENS (2) (VARIOUS HOLE SIZE OPTIONS))
11. DEBRIS CHUTE
12. FLEXIBLE DIRT SHIELD (RUBBER)
13. MOTOR (GAS OR ELECTRIC POWERED)
14. MOTOR PULLEY
15. DRIVE BELT
16. BELT COVER WITH GUARD BAFFLES
17. CRANK SHAFT CAMS
18. REAR LEG LOCKING BOLTS (2)
19. SELF-LOCKING NUTS (2)
20. CONNECTING ROD BALL BEARINGS
21. DRIVE SHAFT FLYWHEEL
22. DRIVE SHAFT BALL BEARINGS (2)
23. FOLDABLE TRANSPORT HANDLES (2)
24. MOTOR BASE PLATE
25. ELECTRIC POWER SWITCH WITH CORD